

SURFACE PRESSURE CMV

surface pump multistage



clean water



domestic use

Max Head 40 - 103m

Max Flow 7.2 - 22m³/h

Motor Power 0.8 - 4Kw

Discharge size G1- 1 1/4 F

DN 1" - **CMV 20** Aspiration 1" 1/2 -
Discharge 1 1/4" - **CMV 30, CMV 40**



KEY ADVANTAGES OF A CMV PUMP

APPLICATION

CMV pumps are suitable for use with clean water. The high efficiency and adaptability of these pumps to even the most unusual of applications, makes them ideal for use in the domestic, civil and industrial sectors; in particular for the distribution of water in combination with pressure sets and for pressure boosting.

INSTALLATION

The pump should be installed in an enclosed environment or sheltered from inclement weather.

MATERIALS

Pump body and pusher in cast iron. Exterior shell and impeller in stainless steel (AISI304). Shaft in stainless steel (AISI 416). Diffusor in noryl with fiber-glass.

PUMPED LIQUID

Clean water.
Max. liquid temperature: 35°C.

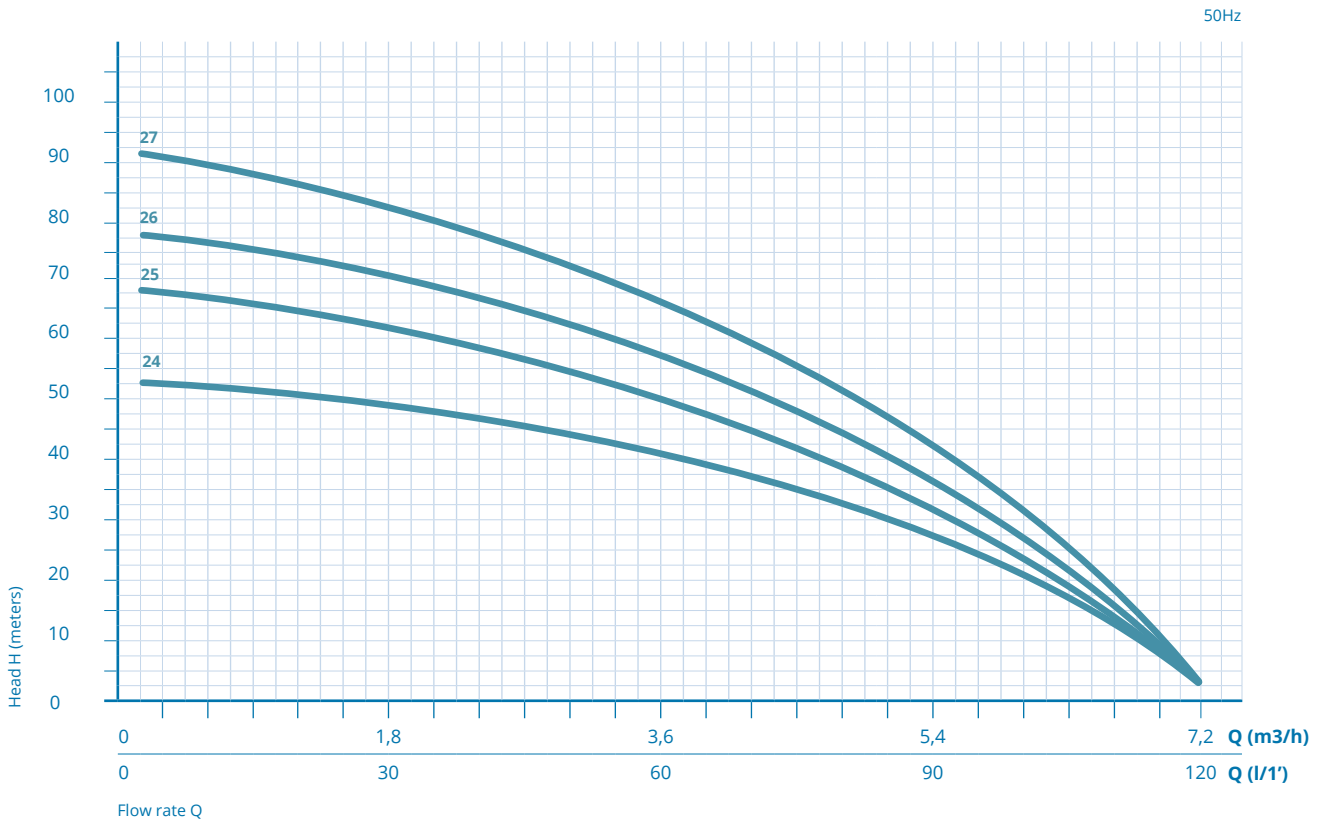
MOTOR

Externally ventilated. Mechanical seal (carbon-graphite). Protection IP44. Class F insulation.

FEATURES

Max. starts/hour: 30

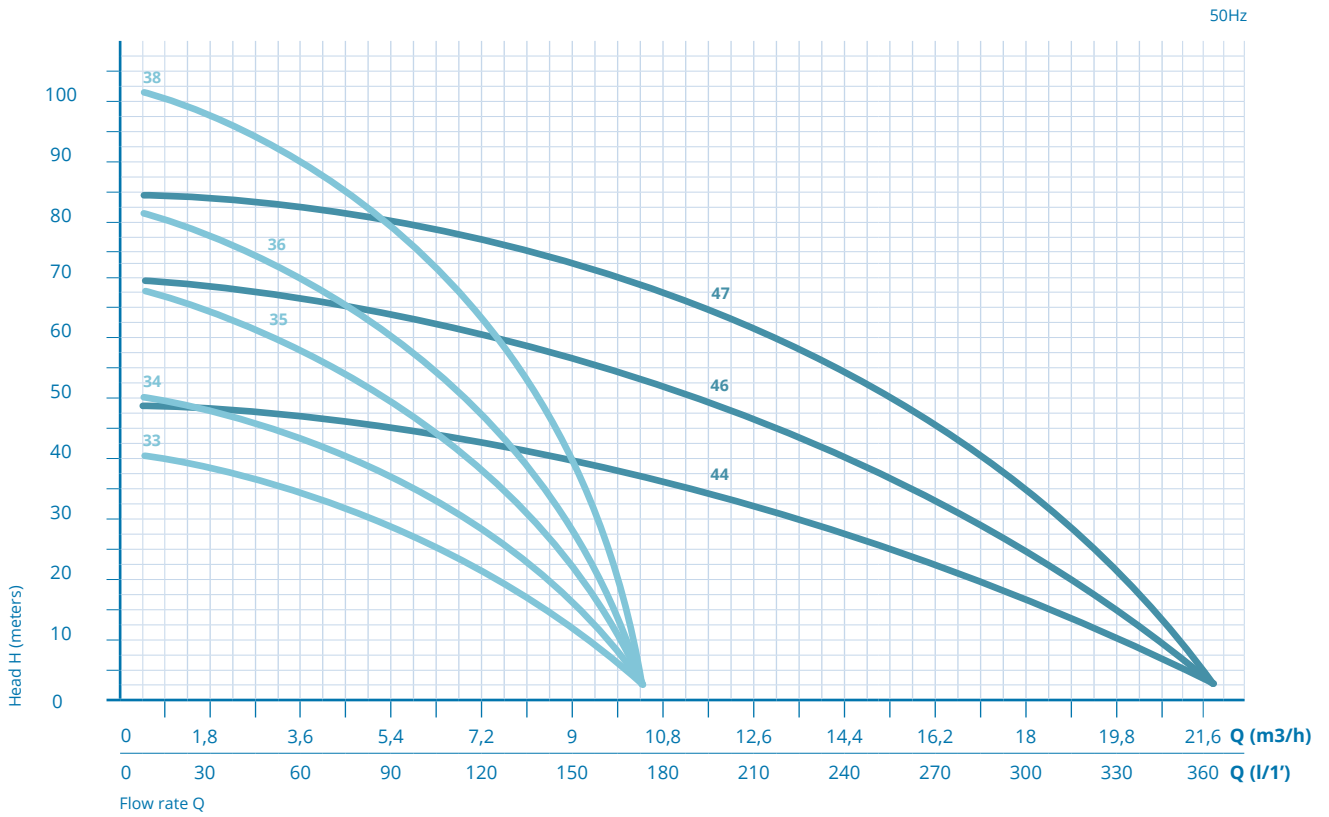
CHARACTERISTIC CURVES AND PERFORMANCE DATA



TYPE	POWER	MOTOR			PORT			Q m³/h																	
		1~		3~	DN	DNA	DNC	0	0,6	1,2	1,8	2,4	3	4,5	5,7	9	10,5	12	15	18	19,8				
	kW	A	µF	A							0	10	20	30	40	50	75	95	150	175	200	250	300	330	
CMV 24.80	0,8	5,4	16	2,3	1"	-	-		52	51	48	46	43	39	27	15									
CMV 25.120	1,2	7,2	20	2,8							67	65,5	63	59	56	51	39	24							
CMV 26.120		7,8	25	3,5							H - meters	78	76,5	74	71	67	62	46	29						
CMV 27.150	1,5	8,6	25	3,8								91	89	86	84	80	75	59	39						

SURFACE PRESSURE
CMV

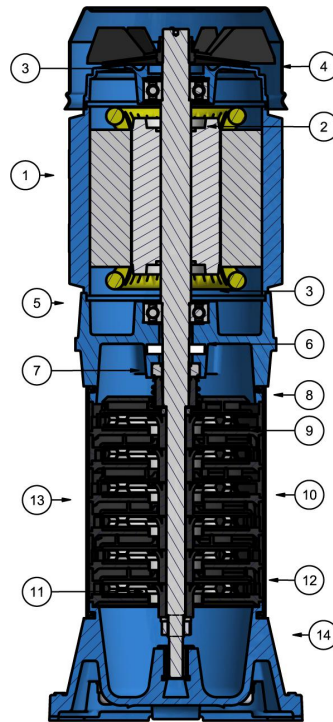
CHARACTERISTIC CURVES AND PERFORMANCE DATA



TYPE	POWER kW	MOTOR			PORT			Flow rate Q																
		1~ A	3~ μF	3~ A	DN	DNA	DNC	Qm³/h	0	0,6	1,2	1,8	2,4	3	4,5	5,7	9	10,5	12	15	18	19,8		
								l/min	0	10	20	30	40	50	75	95	150	175	200	250	300	330		
CMV 33.90	0,9	6,2	25	3,7					40	39,5	39	38	37	36	32	28	13,5	4,5						
CMV 34.110	1,1	8,9	35	3,9					50	49,5	49	48,5	48	47	43	39	20	7,5						
CMV 35.150	1,5	11,2	40	4,6	-	1"½	1"¼		66	65,5	65	64	63	62	57	52	28	11						
CMV 36.220	2,2	12	50	5					81	80,5	79,5	78	76	75	69	63	36	14,5						
CMV 38.300	3	-	-	6					103	102	99	97	96	94	88	78	32	10						
								H - meters																
CMV 44.220	2,2	-	-	4,5					48	47,5	47	46	45	44	42	40	35	33	30	24	15	9		
CMV 46.300	3	-	-	7,6	-	1"½	1"¼		72	71	70	69	67	66	63	60	54	50	46	36	25	15		
CMV 47.400	4	-	-	11					84	83	82	81	80	78	76	72	65	62	57	46	40	23		

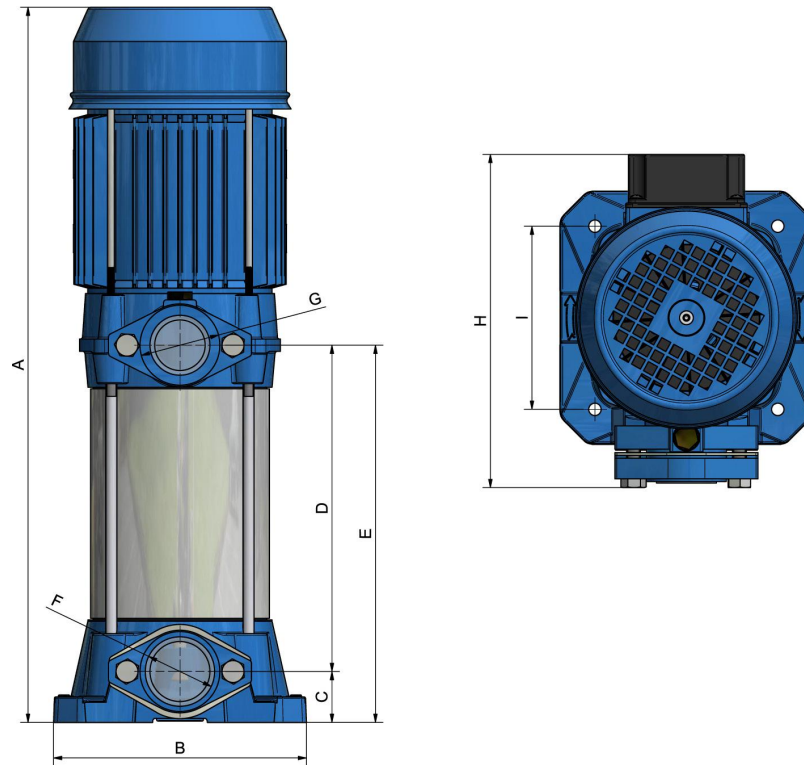
SURFACE PRESSURE
CMV

COMPONENTS AND MATERIALS



POS	COMPONENT	MATERIALS
1	Stator on Casing	
2	Rotor / Shaft	Steel and Aluminium / Stainless Steel
3	Bearing	Steel
4	Cover	Aluminium
5	Body Impulse	Iron Cast
6	Mechanical Seal Fixe	Nitrile Rubber / Ceramics
7	Mechanical Seal Mobile	Graphite Steel
8	Initial Diffuser	Noryl
9	Impeller	Stainless Steel
10	Diffuser Lid Welded	Noryl
11	Busching Impeller	Plastic
12	Diffuser Cover	Noryl
13	Motor Casing	Stainless Steel
14	Pump Aspiration	Iron Cast

DIMENSIONS AND WEIGHT



TYPE	DIMENSIONS (mm)							WEIGHT Kg
	A	B	C	D	E	H	I	
CMV 24.80	378	160	22	148	170	213	125	14,5
CMV 25.120	398			167	189			15
CMV 26.120	417			187	209			15,5
CMV 27.150	437			206	228			17
CMV 33.90	448	184	37	166	203	251	133	21
CMV 34.110	472			190	227			22
CMV 35.150	496			214	251			24
CMV 36.220	521			238	275			24,5
CMV 38.300.3	608			287	324			28
CMV 44.220.3	598	184	37	248	285	263	133	33
CMV 46.300.3	720			325	362	290		37
CMV 47.400.3	800			365	402	299		45