

SURFACE PRESSURE

**CMV**

surface pump multistage



clean water



domestic use

## Vertical outlet

DN 1" - **CMV 20**

Aspiration 1" 1/2 - Discharge 1"1/4 -

**CMV 30, CMV 40**



## CHARACTERISTICS OF A CMV PUMP

### 1. CONSTRUCTION

Suction and discharge body in cast iron

Exterior shell, shaft and impeller in

stainless steel, diffuser in Noryl

Sealing by mechanical seal carbon

ceramic

Possibility of SIC / SiC on request

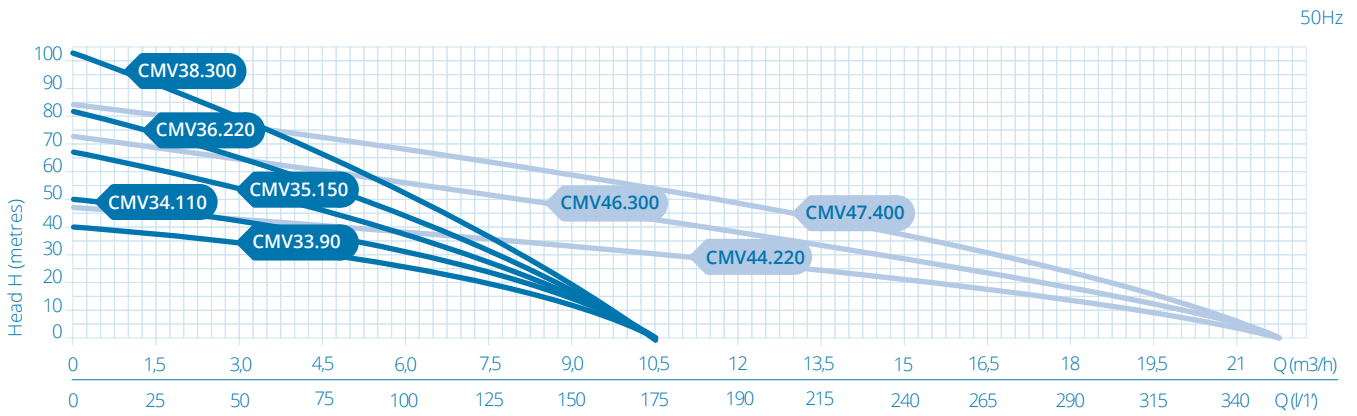
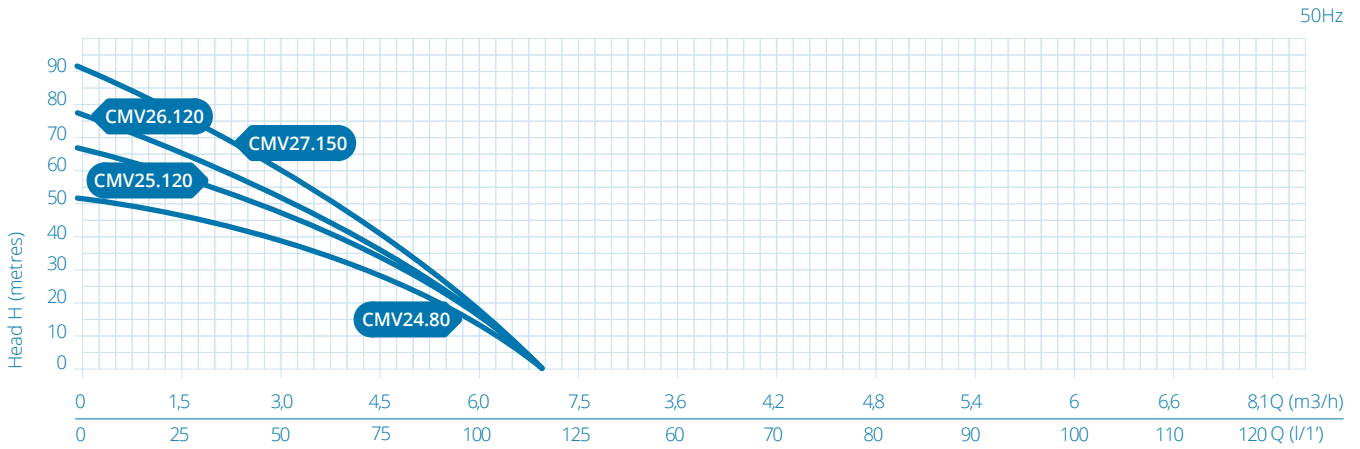
### 2. MOTOR

Protection IP44, insulation class F

Capacitor incorporated in single phase

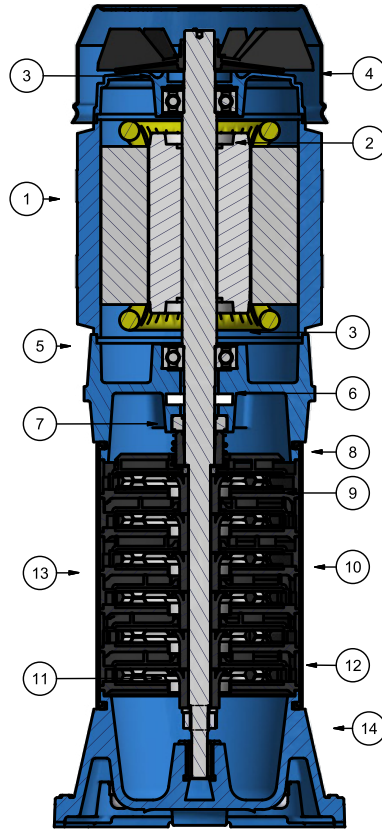
Maximum water temperature 35°

## CHARACTERISTIC CURVES AND PERFORMANCE DATA



TYPE	POWER kW	MOTOR			PORT			Q	m³/h																	
		1~ A	μF	3~ A	DN	DNA	DNC		0	0,6	1,2	1,8	2,4	3	4,5	5,7	9	10,5	12	15	18	19,8				
								l/min	0	10	20	30	40	50	75	95	150	175	200	250	300	330				
CMV 24.80	0,8	5,4	16	2,3	1"	-	-		52	51	48	46	43	39	27	15										
CMV 25.120	1,2	7,2	20	2,8							67	65,5	63	59	56	51	39	24								
CMV 26.120		7,8	25	3,5							78	76,5	74	71	67	62	46	29								
CMV 27.150		1,5	8,6	25				3,8				91	89	86	84	80	75	59	39							
CMV 33.90	0,9	6,2	25	3,7	-	1"½	1"¼		40	39,5	39	38	37	36	32	28	13,5	4,5								
CMV 34.110	1,1	8,9	35	3,9							50	49,5	49	48,5	48	47	43	39	20	7,5						
CMV 35.150	1,5	11,2	40	4,6							66	65,5	65	64	63	62	57	52	28	11						
CMV 36.220	2,2	12	50	5							81	80,5	79,5	78	76	75	69	63	36	14,5						
CMV 38.300	3	-	-	6							103	102	99	97	96	94	88	78	32	10						
CMV 44.220	2,2	3	4,5	-							48	47,5	47	46	45	44	42	40	35	33	30	24	15	9		
CMV 46.300	3	4	7,6	-				72	71	70	69	67	66	63	60	54	50	46	36	25	15					
CMV 47.400	4	5,5	11	-				84	83	82	81	80	78	76	72	65	62	57	46	40	23					

## COMPONENTS AND MATERIALS

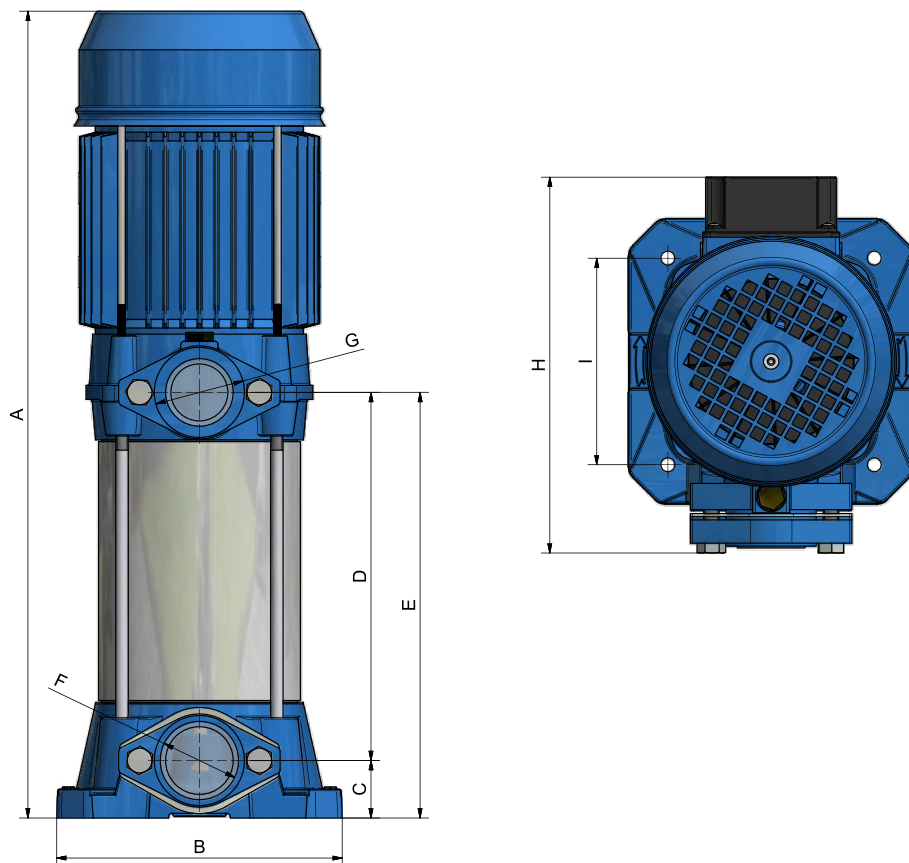


### POS. COMPONENT

### MATERIALS

POS.	COMPONENT	MATERIALS
1	Stator on Casing	
2	Rotor / Shaft	Steel and Aluminum / Stainless Steel
3	Bearing	Steel
4	Cover	Aluminium
5	Body Impulse	Iron Cast
6	Mechanical Seal Fixe	Nitrile Rubber / Ceramics
7	Mechanical Seal Mobile	Graphite Steel
8	Initial Diffuser	Noryl
9	Impeller	Stainless Steel
10	Diffuser Lid Welded	Noryl
11	Busching Impeller	Plastic
12	Diffuser Cover	Noryl
13	Motor Casing	Stainless Steel
14	Pump Aspiration	Iron Cast

## DIMENSIONS AND WEIGHT



TYPE	DIMENSIONS (mm)						WEIGHT		
	A	R1	R2	ØL1	ØL2	L3	M	ØF	Kg
CMV 24.80	21,5	156	177	160	125	177	380	9,5	14,5
CMV 25.120		170	192				400		15
CMV 26.120		190	212				420		15,5
CMV 27.150		210	232				440		17
CMV 33.90	37	164	201	184	133	212	447	9	21,0
CMV 34.110		188,5	226				470		22,0
CMV 35.150		213,5	250,5				495		24,0
CMV 36.220		238	275				520		24,5
CMV 38.300.3		286	323				607		28,0
CMV 44.220.3	37	248	285	184	133	212	596	9	33
CMV 46.300.3		325	362				719		37
CMV 47.400.3		365	402				800		45